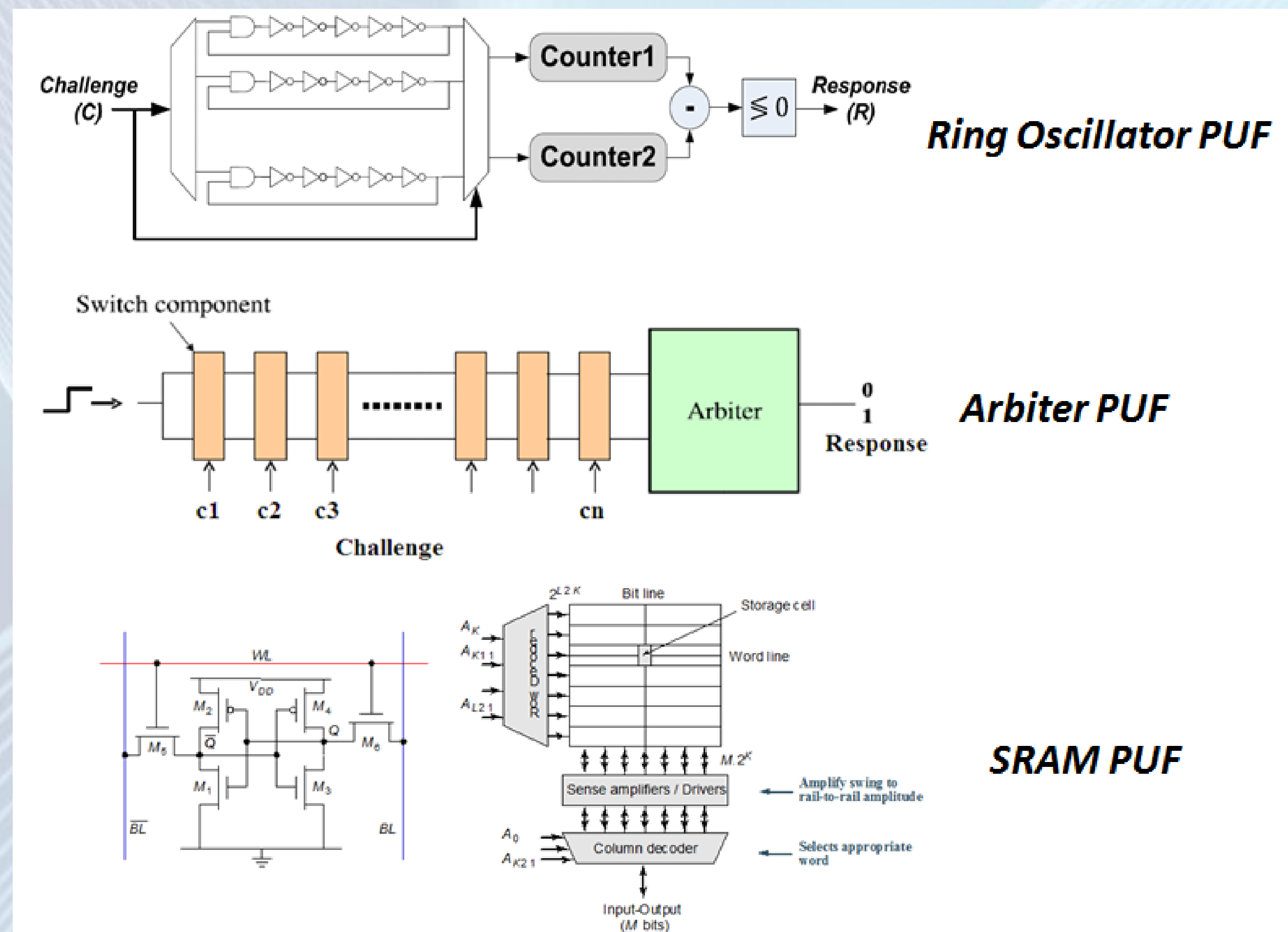
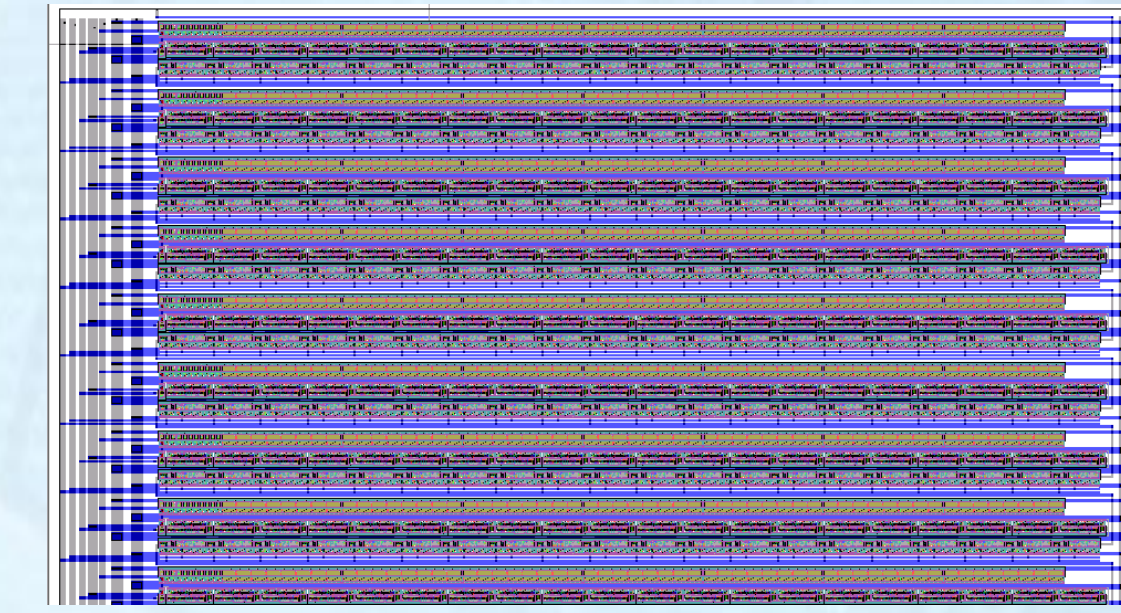


Joshua J. Trujillo, DOE's Kansas City National Security Campus / University of New Mexico

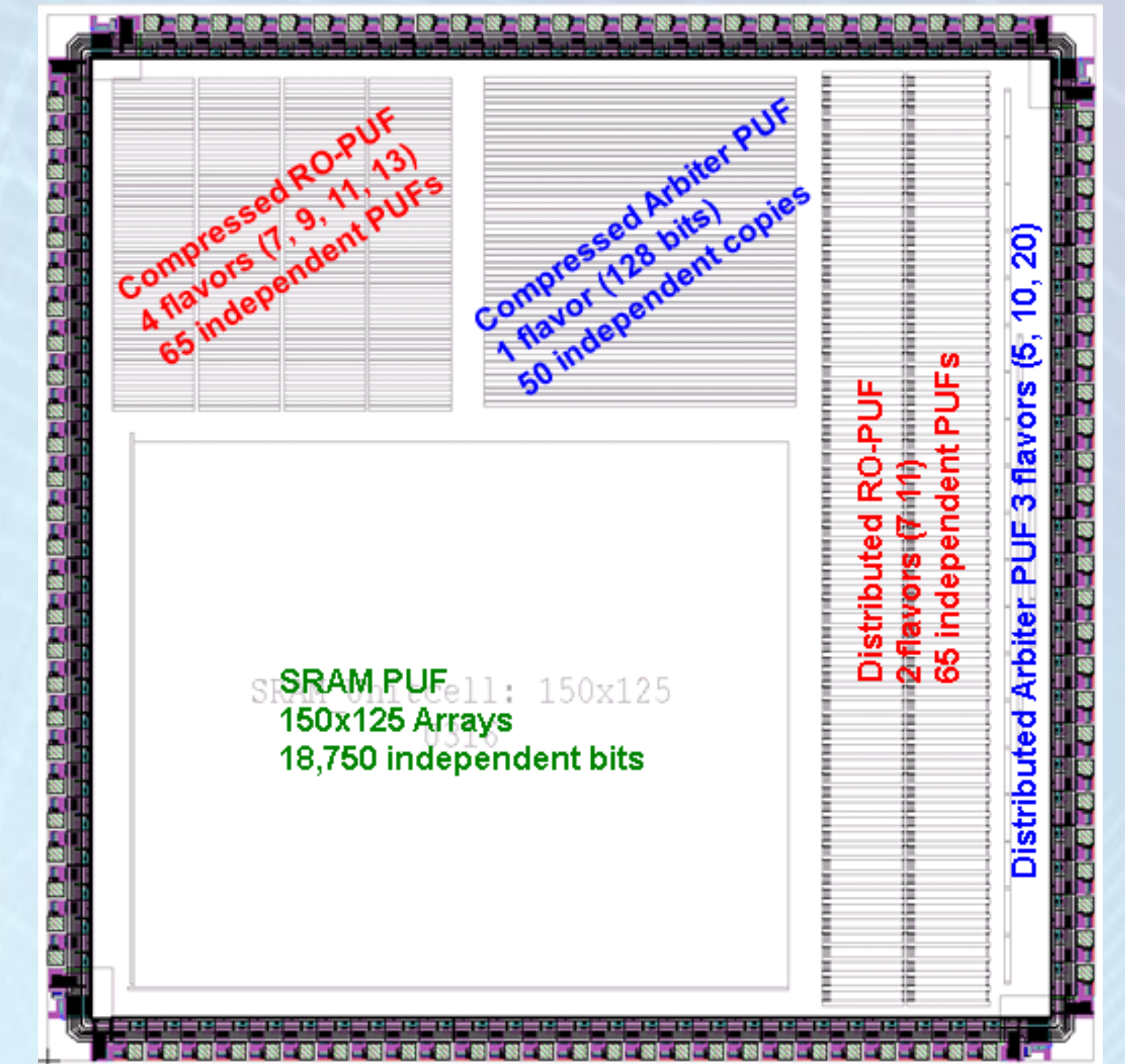
Types of PUF Circuits Used



Compressed Layout



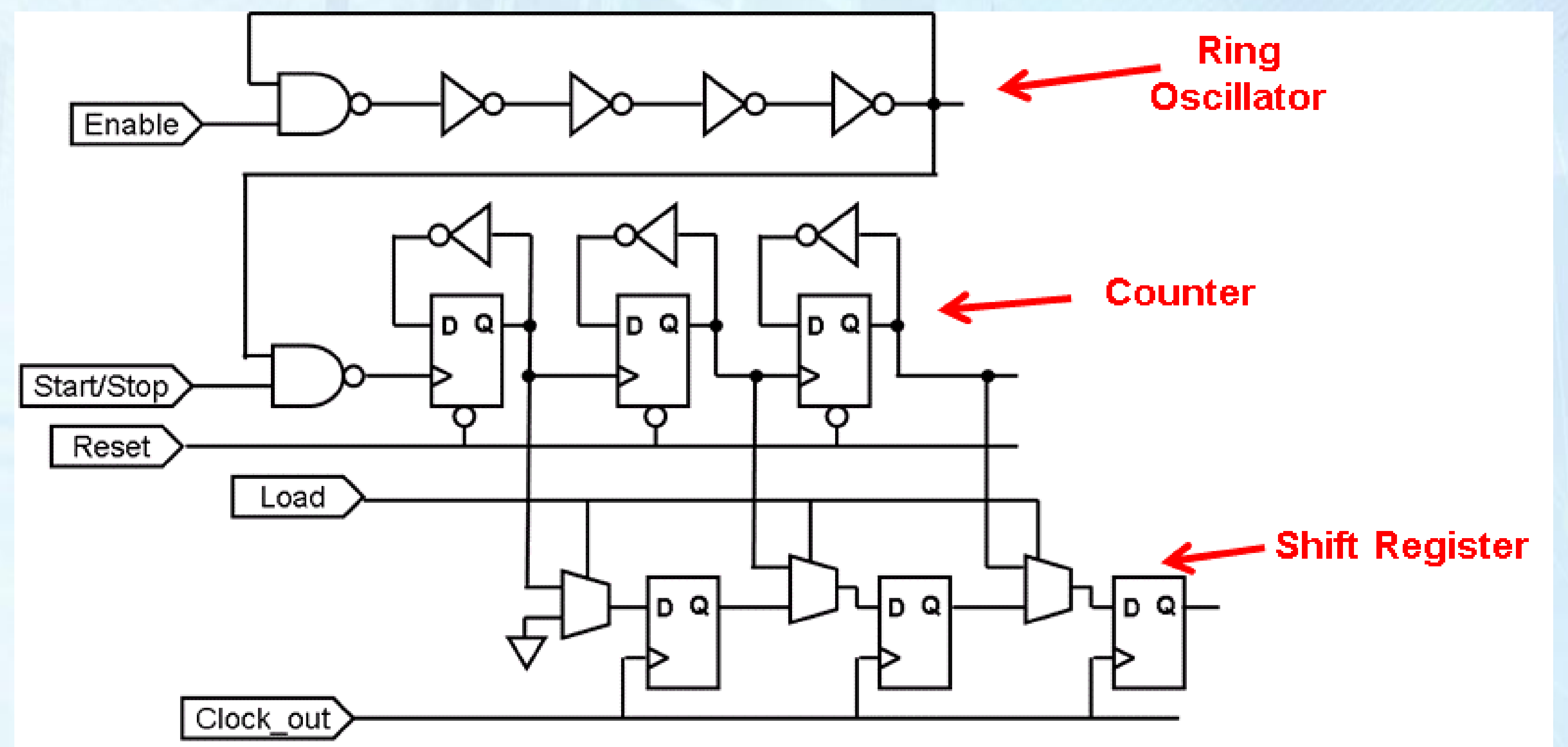
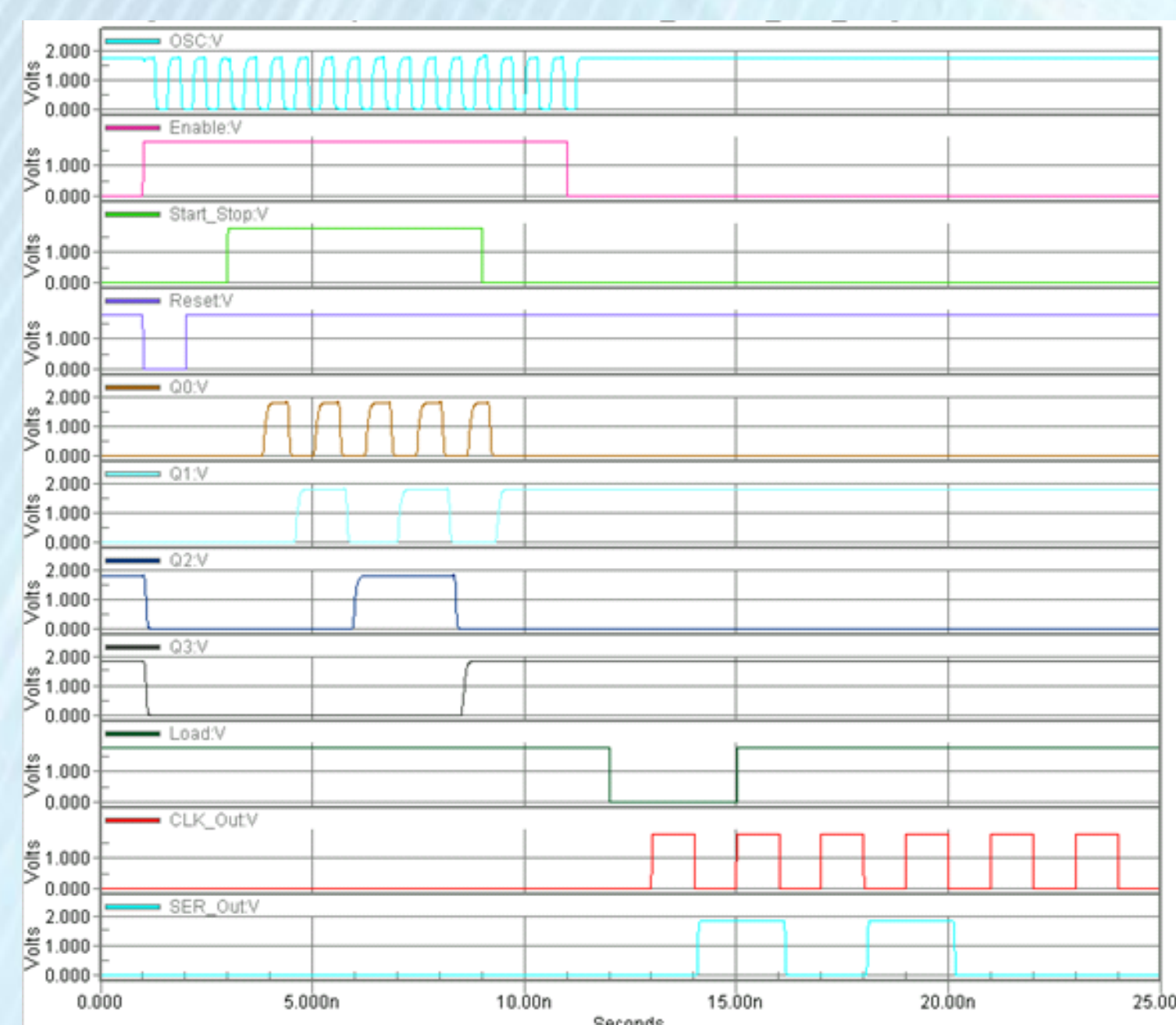
Die Layout



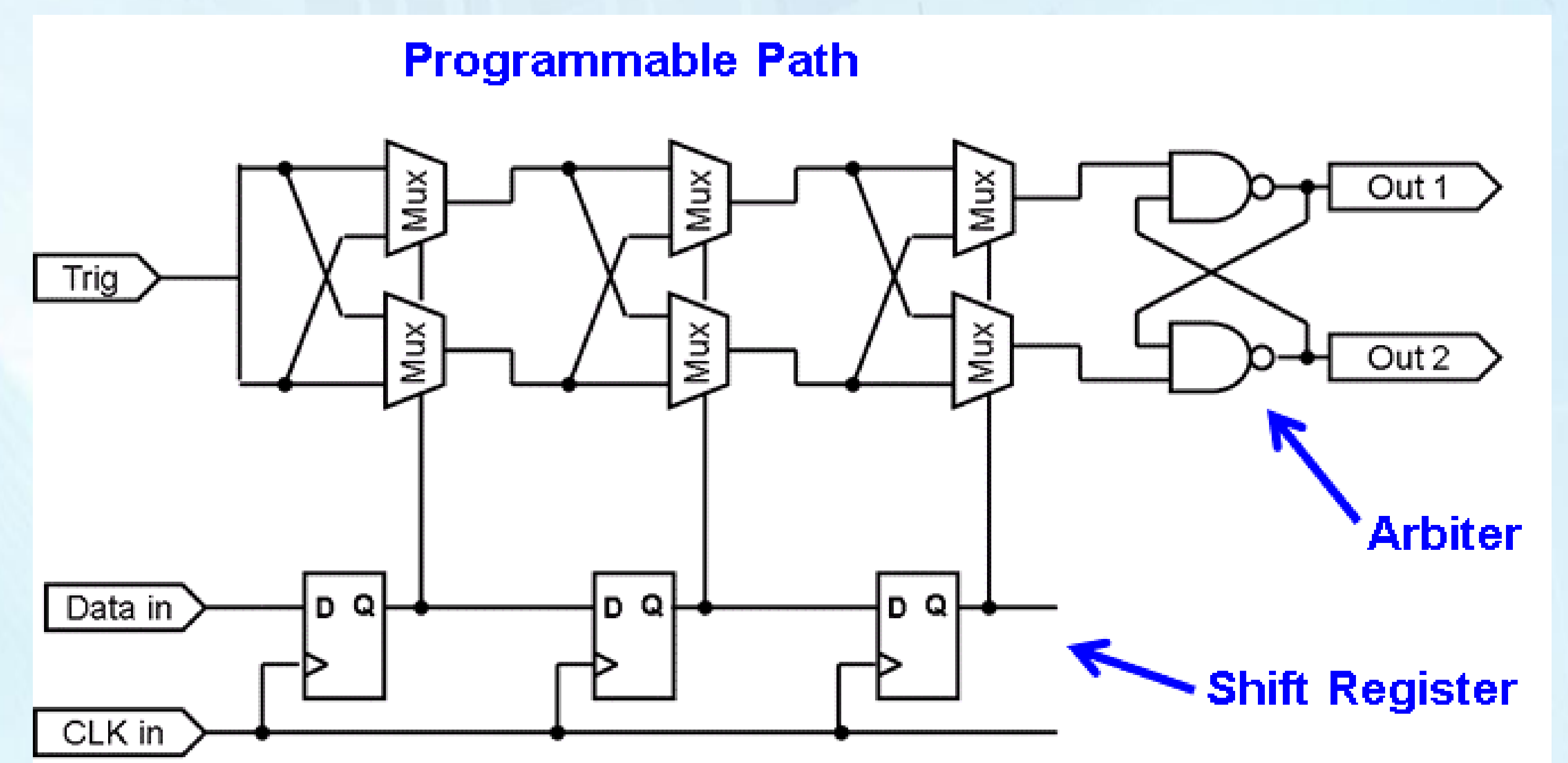
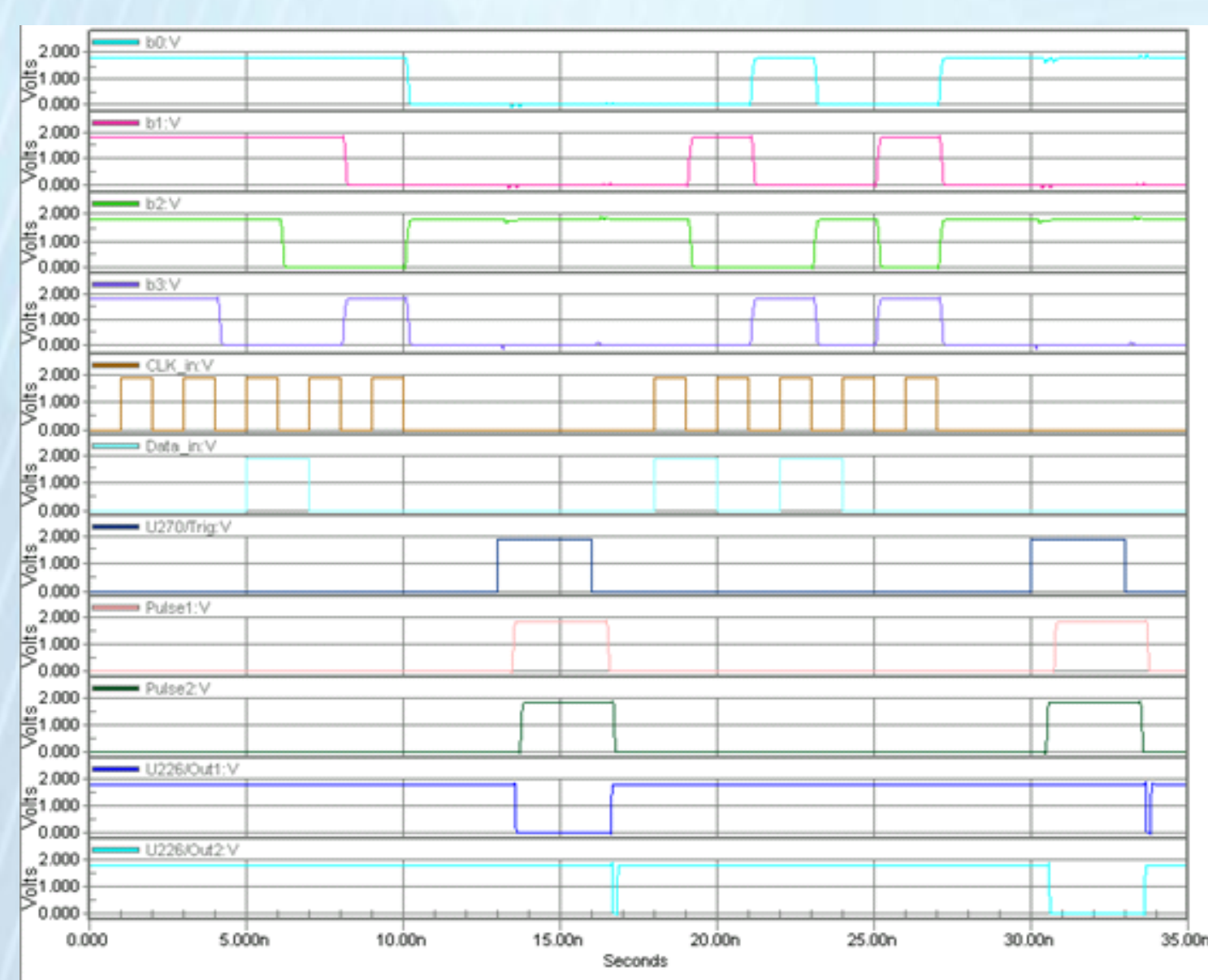
Distributed Layout



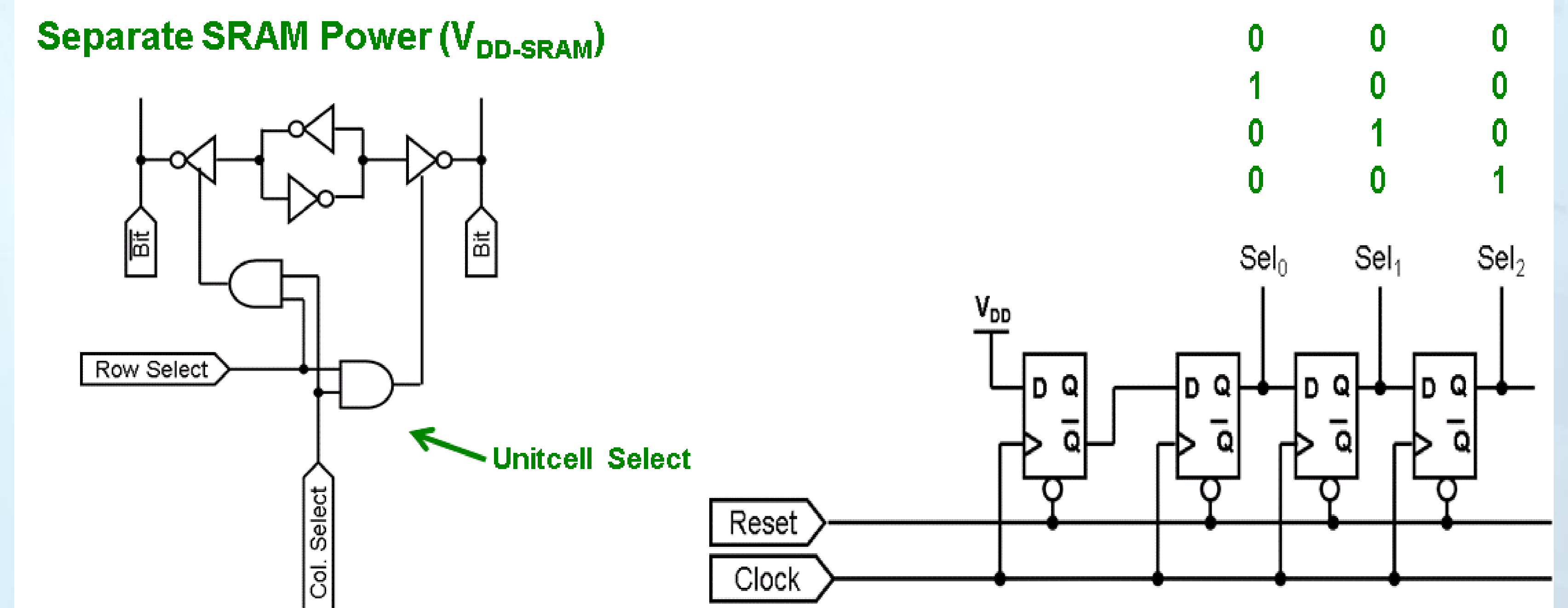
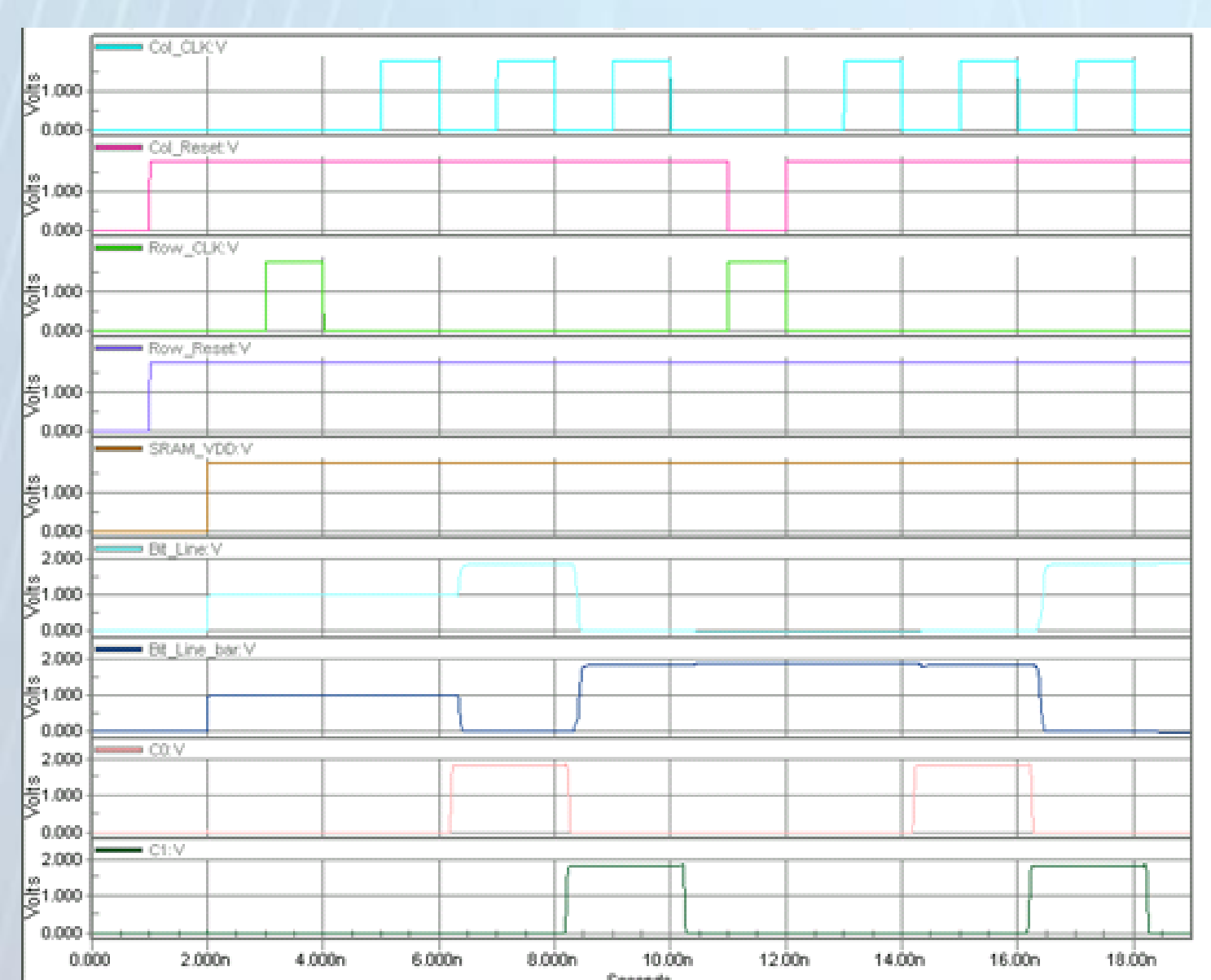
Ring Oscillator PUF



Arbiter PUF



SRAM PUF



References

- [1] R. Maes, "Physically Unclonable Functions: Constructions, Properties and Applications", Springer, 2013.
- [2] Komurcu, G.; Dundar, G., "Determining the quality metrics for PUFs and performance evaluation of Two RO-PUFs," New Circuits and Systems Conference (NEWCAS), 2012 IEEE 10th International, vol., no., pp.73,76, 17-20 June 2012.
- [3] C. Bohm, M. Hofer, "Physical Unclonable Functions in Theory and Practice," Springer, 2012.